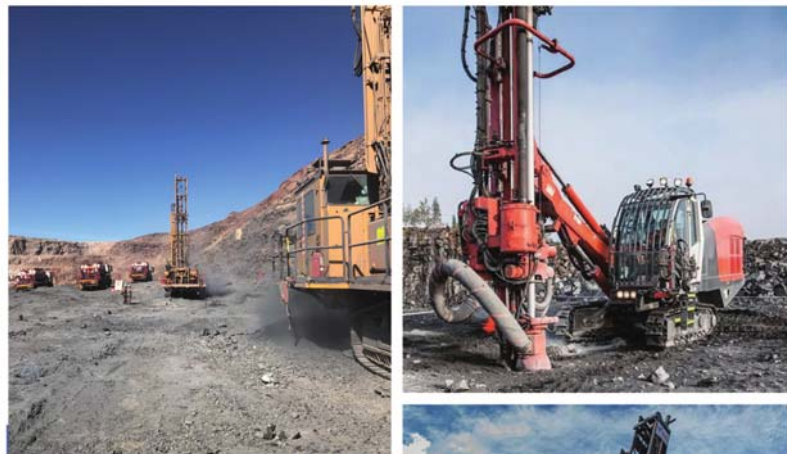




DTH Drilling Equipment

MAXDRILL ROCK TOOLS CO.,LTD



GLOBAL DRILLING INDUSTRY EXPERTS

CONTENTS

DTH Hammers with foot valve	1-19
DTH Hammers without foot valve	20-47
Big Hole DTH Hammers	48-51
DTH Bits.	52-86
The others	87

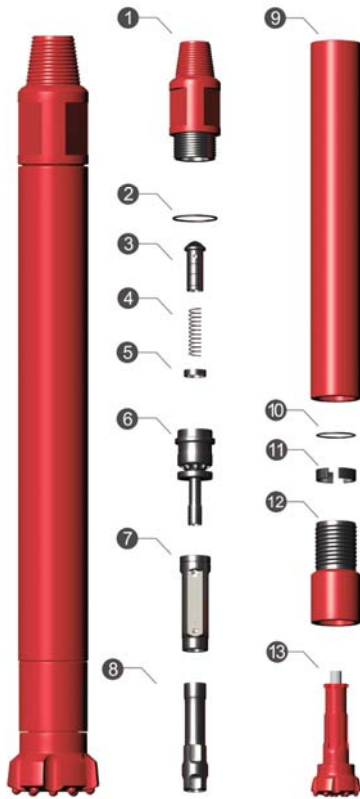


High Air Pressure DTH Hammer -With Foot Valve Code

DTH Hammer With Foot Valve (i.e. MQL5)

M	QL	5
Our Company: Maxdrill	Bit shank: D- DHD Bit Shank QL5- QL50 Bit Shank SD5-SD5 Bit Shank	Inch: 5" hammer

Decomposition	Item	Part Number	Description
---------------	------	-------------	-------------



1	MD3501	Top Sub
2	MD3502	"O" Ring of Top Sub
3	MD3503	Check Valve
4	MD3504	Spring
5	MD3505	Compression Buffer
6	MD3506	Air Distributor
7	MD3507	Internal Cylinder
8	MD3508	Piston
9	MD3509	External Cylinder
10	MD3510	"O" Ring of Stop Ring
11	MD3511	Stop Ring
12	MD3512	Drive Chuck
13	MD3513	Drill Bit

Product Number

MD35

Technical Parameters

Length(Less bit)	930mm
Weight(Less bit)	25.00Kg
External Diameter	Ø82mm
Bit Shank	DHD3.5
Hole Range	ø90-ø110
Connection Thread	API 2 3/8" Reg
Working Pressure	1.0-2.5Mpa
Impact Rate at 1.5Mpa	28HZ
Recommended Rotation Speed	25-40r/min
Air Consumption	145-350PSI 200-600CFM

Decomposition	Item	Part Number	Description
	1	MD4501	Top Sub
	2	MD4502	"O" Ring of Top Sub
	3	MD4503	Check Valve
	4	MD4504	Spring
	5	MD4505	Compression Buffer
	6	MD4506	Air Distributor
	7	MD4507	Internal Cylinder
	8	MD4508	Piston
	9	MD4509	External Cylinder
	10	MD4510	"O" Ring of Stop Ring
	11	MD4511	Stop Ring
	12	MD4512	Drive Chuck
	13	MD4513	Drill Bit

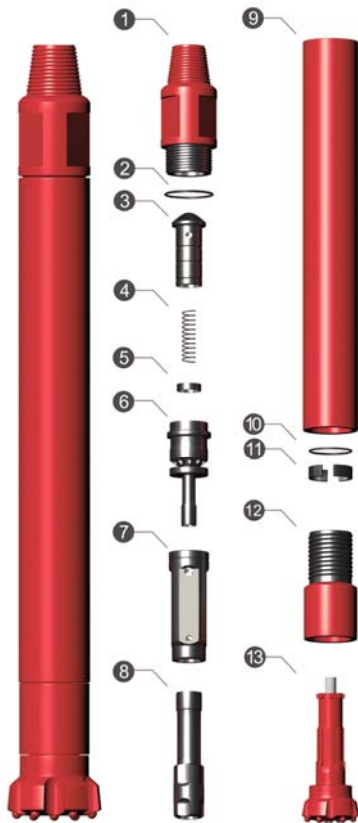
Product Number

MD45

Technical Parameters

Length(Less bit)	1030mm
Weight(Less bit)	39.00Kg
External Diameter	Ø99mm
Bit Shank	Cop44 / DHD340A
Hole Range	ø110-ø135
Connection Thread	API 2 3/8" Reg
Working Pressure	1.0-2.5Mpa
Impact Rate at 1.7Mpa	28HZ
Recommended Rotation Speed	25-40r/min
Air Consumption	145-350PSI 200-600CFM

Decomposition	Item	Part Number	Description
---------------	------	-------------	-------------



1	MSD401	Top Sub
2	MSD402	"O" Ring of Top Sub
3	MSD403	Check Valve
4	MSD404	Spring
5	MSD405	Compression Buffer
6	MSD406	Air Distributor
7	MSD407	Internal Cylinder
8	MSD408	Piston
9	MSD409	External Cylinder
10	MSD410	"O" Ring of Stop Ring
11	MSD411	Stop Ring
12	MSD412	Drive Chuck
13	MSD413	Drill Bit

Technical Parameters

Length(Less bit)	1084mm
Weight(Less bit)	40.50Kg
External Diameter	Ø99mm
Bit Shank	SD4
Hole Range	ø110-ø135
Connection Thread	API 2 3/8" Reg
Working Pressure	1.0-2.5Mpa
Impact Rate at 1.7Mpa	28HZ
Recommended Rotation Speed	25-40r/min
Air Consumption	145-350PSI 200-600CFM

Product Number

MSD4

Decomposition	Item	Part Number	Description
	1	MQL401	Top Sub
	2	MQL402	"O" Ring of Top Sub
	3	MQL403	Check Valve
	4	MQL404	Spring
	5	MQL405	Compression Buffer
	6	MQL406	Air Distributor
	7	MQL407	Internal Cylinder
	8	MQL408	Piston
	9	MQL409	External Cylinder
	10	MQL410	Guided Sleeve
	11	MQL411	"O" Ring of Stop Ring
	12	MQL412	Stop Ring
	13	MQL413	Drive Chuck
	14	MQL414	Drill Bit

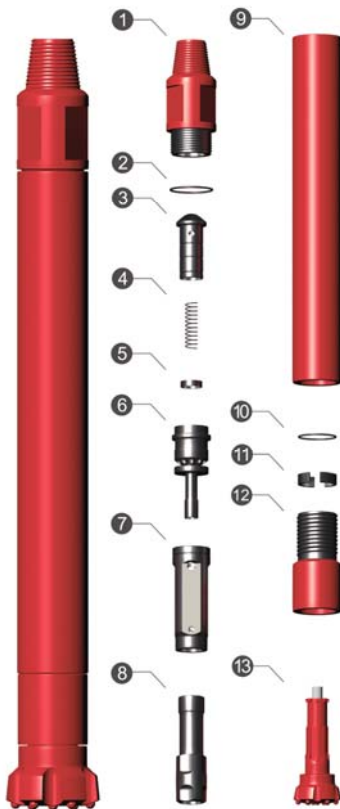
Product Number

MQL4

Technical Parameters

Length(Less bit)	1097mm
Weight(Less bit)	41.00Kg
External Diameter	ø99mm
Bit Shank	QL40
Hole Range	ø110-ø135
Connection Thread	API 2 3/8" Reg
Working Pressure	1.0-2.5Mpa
Impact Rate at 1.7Mpa	28HZ
Recommended Rotation Speed	25-40r/min
Air Consumption	145-350PSI 200-600CFM

Decomposition	Item	Part Number	Description
---------------	------	-------------	-------------



1	MD5501	Top Sub
2	MD5502	"O" Ring of Top Sub
3	MD5503	Check Valve
4	MD5504	Spring
5	MD5505	Compression Buffer
6	MD5506	Air Distributor
7	MD5507	Internal Cylinder
8	MD5508	Piston
9	MD5509	External Cylinder
10	MD5510	"O" Ring of Stop Ring
11	MD5511	Stop Ring
12	MD5512	Drive Chuck
13	MD5513	Drill Bit

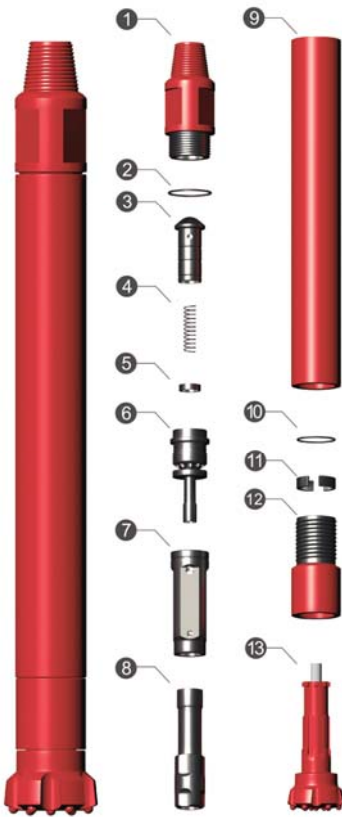
Technical Parameters

Length(Less bit)	1214mm
Weight(Less bit)	79.00Kg
External Diameter	Ø125mm
Bit Shank	Cop54 / DHD350R
Hole Range	ø135-ø155
Connection Thread	API 2 3/8" Reg API 3 1/2" Reg
Working Pressure	1.0-2.5Mpa
Impact Rate at 1.7Mpa	23HZ
Recommended Rotation Speed	20-30r/min
Air Consumption	145-350PSI 600-836CFM

Product Number

MD55

Decomposition	Item	Part Number	Description
---------------	------	-------------	-------------



1	MSD501	Top Sub
2	MSD502	"O" Ring of Top Sub
3	MSD503	Check Valve
4	MSD504	Spring
5	MSD505	Compression Buffer
6	MSD506	Air Distributor
7	MSD507	Internal Cylinder
8	MSD508	Piston
9	MSD509	External Cylinder
10	MSD510	"O" Ring of Stop Ring
11	MSD511	Stop Ring
12	MSD512	Drive Chuck
13	MSD513	Drill Bit

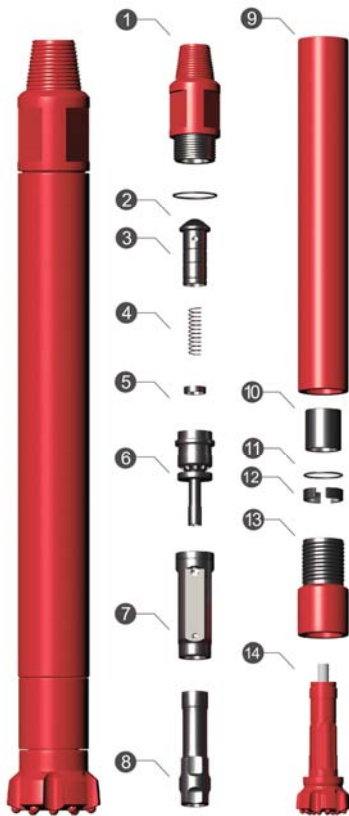
Technical Parameters

Length(Less bit)	1175mm
Weight(Less bit)	72.50Kg
External Diameter	Ø125mm
Bit Shank	SD5
Hole Range	ø135- ø 155
Connection Thread	API 3 1/2" Reg
Working Pressure	1.0-2.5Mpa
Impact Rate at 1.7Mpa	23HZ
Recommended Rotation Speed	20-30r/min
Air Consumption	145-350PSI 600-836CFM

Product Number

MSD5

Decomposition	Item	Part Number	Description
---------------	------	-------------	-------------



1	MQL501	Top Sub
2	MQL502	"O" Ring of Top Sub
3	MQL503	Check Valve
4	MQL504	Spring
5	MQL505	Compression Buffer
6	MQL506	Air Distributor
7	MQL507	Internal Cylinder
8	MQL508	Piston
9	MQL509	External Cylinder
10	MQL510	Guided Sleeve
11	MQL511	"O" Ring of Stop Ring
12	MQL512	Stop Ring
13	MQL513	Drive Chuck
14	MQL514	Drill Bit

Technical Parameters

Length(Less bit)	1156mm
Weight(Less bit)	73.00Kg
External Diameter	Ø125mm
Bit Shank	QL50
Hole Range	ø135- ø 155
Connection Thread	API 3 1/2" Reg
Working Pressure	1.0-2.5Mpa
Impact Rate at 1.7Mpa	23HZ
Recommended Rotation Speed	20-30r/min
Air Consumption	145-350PSI 600-836CFM

Product Number

MQL5

Decomposition	Item	Part Number	Description
	1	MD6501	Top Sub
	2	MD6502	"O" Ring of Top Sub
	3	MD6503	Check Valve
	4	MD6504	Spring
	5	MD6505	Compression Buffer
	6	MD6506	Air Distributor
	7	MD6507	Internal Cylinder
	8	MD6508	Piston
	9	MD6509	External Cylinder
	10	MD6510	Guided Sleeve
	11	MD6511	"O" Ring of Stop Ring
	12	MD6512	Stop Ring
	13	MD6513	Drive Chuck
	14	MD6514	Drill Bit

Product Number

MD65

Technical Parameters

Length(Less bit)	1248mm
Weight(Less bit)	100.00Kg
External Diameter	Ø142mm
Bit Shank	Cop64 / DHD 360
Hole Range	ø155- ø 190
Connection Thread	API 3 1/2" Reg
Working Pressure	1.0-2.5Mpa
Impact Rate at 1.7Mpa	23HZ
Recommended Rotation Speed	20-30r/min
Air Consumption	145-350PSI 600-836CFM

Decomposition	Item	Part Number	Description
	1	MSD601	Top Sub
	2	MSD602	"O" Ring of Top Sub
	3	MSD603	Check Valve
	4	MSD604	Spring
	5	MSD605	Compression Buffer
	6	MSD606	Air Distributor
	7	MSD607	Internal Cylinder
	8	MSD608	Piston
	9	MSD609	External Cylinder
	10	MSD610	"O" Ring of Stop Ring
	11	MSD611	Stop Ring
	12	MSD612	Guided Sleeve
	13	MSD613	Drive Chuck
	14	MSD614	Drill Bit

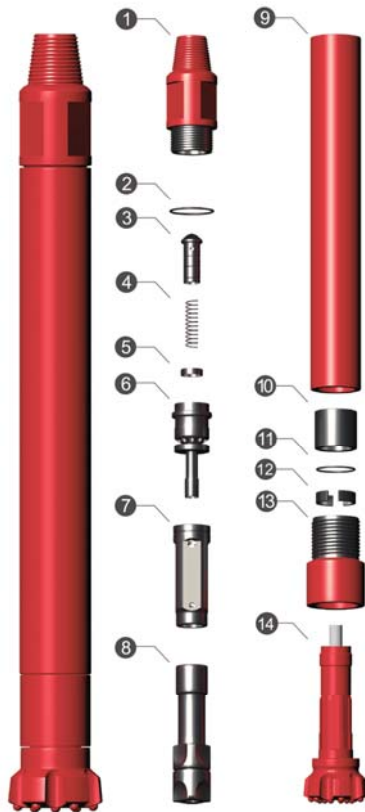
Technical Parameters

Length(Less bit)	1261mm
Weight(Less bit)	100.00Kg
External Diameter	Ø142mm
Bit Shank	SD6
Hole Range	ø155- ø 190
Connection Thread	API 3 1/2" Reg
Working Pressure	1.0-2.5Mpa
Impact Rate at 1.7Mpa	23HZ
Recommended Rotation Speed	20-30r/min
Air Consumption	145-350PSI 600-836CFM

Product Number

MSD6

Decomposition	Item	Part Number	Description
---------------	------	-------------	-------------



1	MQL601	Top Sub
2	MQL602	"O" Ring of Top Sub
3	MQL603	Check Valve
4	MQL604	Spring
5	MQL605	Compression Buffer
6	MQL606	Air Distributor
7	MQL607	Internal Cylinder
8	MQL608	Piston
9	MQL609	External Cylinder
10	MQL610	Guided Sleeve
11	MQL611	"O" Ring of Stop Ring
12	MQL612	Stop Ring
13	MQL613	Drive Chuck
14	MQL614	Drill Bit

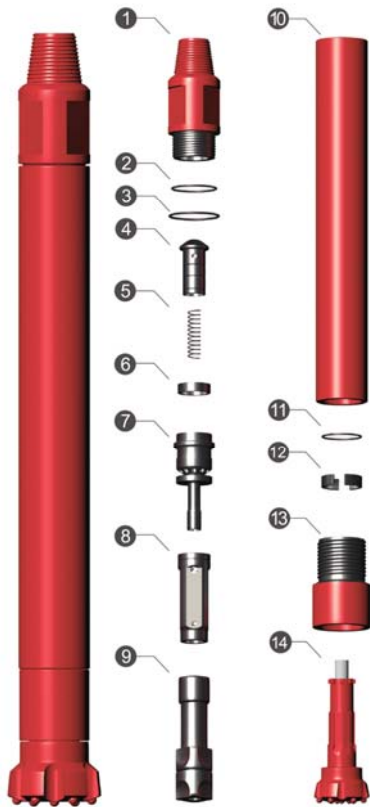
Technical Parameters

Length(Less bit)	1212mm
Weight(Less bit)	95.00Kg
External Diameter	Ø148mm
Bit Shank	QL60
Hole Range	ø155- ø 190
Connection Thread	API 3 1/2" Reg
Working Pressure	1.0-2.5Mpa
Impact Rate at 1.7Mpa	23HZ
Recommended Rotation Speed	20-30r/min
Air Consumption	145-350PSI 600-836CFM

Product Number

MQL6

Decomposition	Item	Part Number	Description
---------------	------	-------------	-------------



1	MD8501	Top Sub
2	MD8502	"O" Ring of Top Sub
3	MD8503	Breakout Ring
4	MD8504	Check Valve
5	MD8505	Spring
6	MD8506	Compression Buffer
7	MD8507	Air Distributor
8	MD8508	Internal Cylinder
9	MD8509	Piston
10	MD8510	External Cylinder
11	MD8511	"O" Ring of Stop Ring
12	MD8512	Stop Ring
13	MD8513	Drive Chuck
14	MD8514	Drill Bit

Technical Parameters

Length(Less bit)	1492mm
Weight(Less bit)	189.00Kg
External Diameter	ø180mm
Bit Shank	Cop84 / DHD380
Hole Range	ø195-ø254
Connection Thread	API 4 1/2" Reg
Working Pressure	1.0-2.5Mpa
Impact Rate at 1.7Mpa	20HZ
Recommended Rotation Speed	15-25r/min
Air Consumption	145-350PSI 836-1150CFM

Product Number

MD85

Decomposition	Item	Part Number	Description
	1	MSD801	Top Sub
	2	MSD802	"O" Ring of Top Sub
	3	MSD803	Breakout Ring
	4	MSD804	Check Valve
	5	MSD805	Spring
	6	MSD806	Compression Buffer
	7	MSD807	Air Distributor
	8	MSD808	Internal Cylinder
	9	MSD809	Piston
	10	MSD810	External Cylinder
	11	MSD811	"O" Ring of Stop Ring
	12	MSD812	Stop Ring
	13	MSD813	Guided Sleeve
	14	MSD814	Drive Chuck
	15	MSD815	Drill Bit

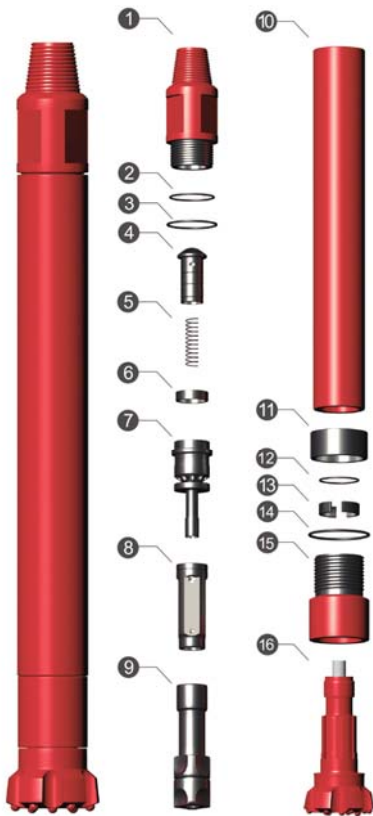
Technical Parameters

Length(Less bit)	1463mm
Weight(Less bit)	192.00Kg
External Diameter	Ø180mm
Bit Shank	SD8
Hole Range	ø195- ø 254
Connection Thread	API 4 1/2" Reg
Working Pressure	1.0-2.5Mpa
Impact Rate at 1.7Mpa	20HZ
Recommended Rotation Speed	15-25r/min
Air Consumption	145-350PSI 836-1150CFM

Product Number

MSD8

Decomposition	Item	Part Number	Description
---------------	------	-------------	-------------



1	MQL801	Top Sub
2	MQL802	"O" Ring of Top Sub
3	MQL803	Breakout Ring
4	MQL804	Check Valve
5	MQL805	Spring
6	MQL806	Compression Buffer
7	MQL807	Air Distributor
8	MQL808	Internal Cylinder
9	MQL809	Piston
10	MQL810	External Cylinder
11	MQL811	Guided Sleeve
12	MQL812	"O" Ring of Stop Ring
13	MQL813	Stop Ring
14	MQL814	Breakout Ring
15	MQL815	Drive Chuck
16	MQL816	Drill Bit

Technical Parameters

Length(Less bit)	1465mm
Weight(Less bit)	182.00Kg
External Diameter	Ø185mm
Bit Shank	QL80
Hole Range	ø195- ø 254
Connection Thread	API 4 1/2" Reg
Working Pressure	1.0-2.5Mpa
Impact Rate at 1.7Mpa	20HZ
Recommended Rotation Speed	15-25r/min
Air Consumption	145-350PSI 836-1150CFM

Product Number

MQL8

Decomposition	Item	Part Number	Description
	1	MSD1001	Top Sub
	2	MSD1002	"O" Ring of Top Sub
	3	MSD1003	Breakout Ring
	4	MSD1004	Check Valve
	5	MSD1005	Spring
	6	MSD1006	Air Distributor
	7	MSD1007	Internal Cylinder
	8	MSD1008	Piston
	9	MSD1009	External Cylinder
	10	MSD1010	"O" Ring of Stop Ring
	11	MSD1011	Stop Ring
	12	MSD1012	Guided Sleeve
	13	MSD1013	Breakout Ring
	14	MSD1014	Drive Chuck
	15	MSD1015	Drill Bit

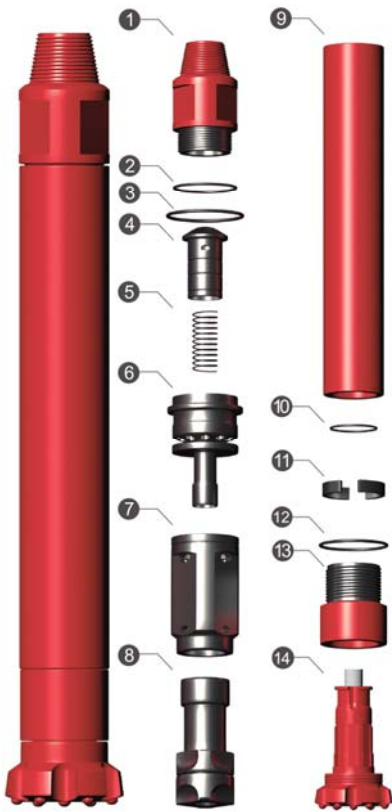
Technical Parameters

Length(Less bit)	1502mm
Weight(Less bit)	290.00Kg
External Diameter	Ø225mm
Bit Shank	SD10
Hole Range	ø 254- ø 311
Connection Thread	API 4 1/2" Reg API 5 1/2" Reg
Working Pressure	1.0-2.5Mpa
Impact Rate at 1.7Mpa	20HZ
Recommended Rotation Speed	15-25r/min
Air Consumption	145-350PSI 836-1150CFM

Product Number

MSD10

Decomposition	Item	Part Number	Description
---------------	------	-------------	-------------



1	MN10001	Top Sub
2	MN10002	"O" Ring of Top Sub
3	MN10003	Breakout Ring
4	MN10004	Check Valve
5	MN10005	Spring
6	MN10006	Air Distributor
7	MN10007	Internal Cylinder
8	MN10008	Piston
9	MN10009	External Cylinder
10	MN10010	"O" Ring of Stop Ring
11	MN10011	Stop Ring
12	MN10012	Breakout Ring
13	MN10013	Drive Chuck
14	MN10014	Drill Bit

Technical Parameters

Length(Less bit)	1510mm
Weight(Less bit)	288.00Kg
External Diameter	Ø226mm
Bit Shank	NUMA100
Hole Range	ø 254- ø 311
Connection Thread	API 6 5/8" Reg
Working Pressure	1.0-2.5Mpa
Impact Rate at 1.7Mpa	20HZ
Recommended Rotation Speed	15-25r/min
Air Consumption	145-350PSI 836-1150CFM

Product Number

MN100

Decomposition	Item	Part Number	Description
	1	MSD1201	Top Sub
	2	MSD1202	"O" Ring of Top Sub
	3	MSD1203	Breakout Ring
	4	MSD1204	Check Valve
	5	MSD1205	Spring
	6	MSD1206	Air Distributor
	7	MSD1207	Internal Cylinder
	8	MSD1208	Piston
	9	MSD1209	External Cylinder
	10	MSD1210	"O" Ring of Stop Ring
	11	MSD1211	Stop Ring
	12	MSD1212	Guided Sleeve
	13	MSD1213	Breakout Ring
	14	MSD1214	Drive Chuck
	15	MSD1215	Drill Bit

Technical Parameters

Length(Less bit)	1880mm
Weight(Less bit)	530.00Kg
External Diameter	Ø275mm
Bit Shank	SD12
Hole Range	ø 305- ø 445
Connection Thread	API 6 5/8" Reg
Working Pressure	1.0-2.5Mpa
Impact Rate at 1.7Mpa	20HZ
Recommended Rotation Speed	15-25r/min
Air Consumption	145-350PSI 836-1150CFM

Product Number

MSD12

Decomposition	Item	Part Number	Description
	1	MN12501	Top Sub
	2	MN12502	"O" Ring of Top Sub
	3	MN12503	Breakout Ring
	4	MN12504	Check Valve
	5	MN12505	Spring
	6	MN12506	Compression Buffer
	7	MN12507	Air Distributor
	8	MN12508	Internal Cylinder
	9	MN12509	Piston
	10	MN12510	External Cylinder
	11	MN12511	"O" Ring of Stop Ring
	12	MN12512	Stop Ring
	13	MN12513	Breakout Ring
	14	MN12514	Drive Chuck
	15	MN12515	Drill Bit

Technical Parameters

Length(Less bit)	1900mm
Weight(Less bit)	480.00Kg
External Diameter	Ø275mm
Bit Shank	NUMA125
Hole Range	ø 305- ø 445
Connection Thread	API 6 5/8" Reg
Working Pressure	1.0-2.5Mpa
Impact Rate at 1.7Mpa	20HZ
Recommended Rotation Speed	15-25r/min
Air Consumption	145-350PSI 836-1150CFM

Product Number

MN125